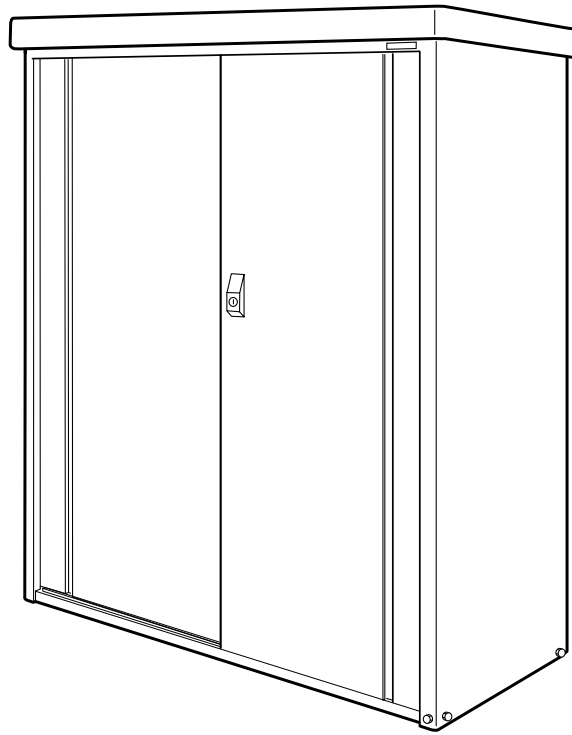
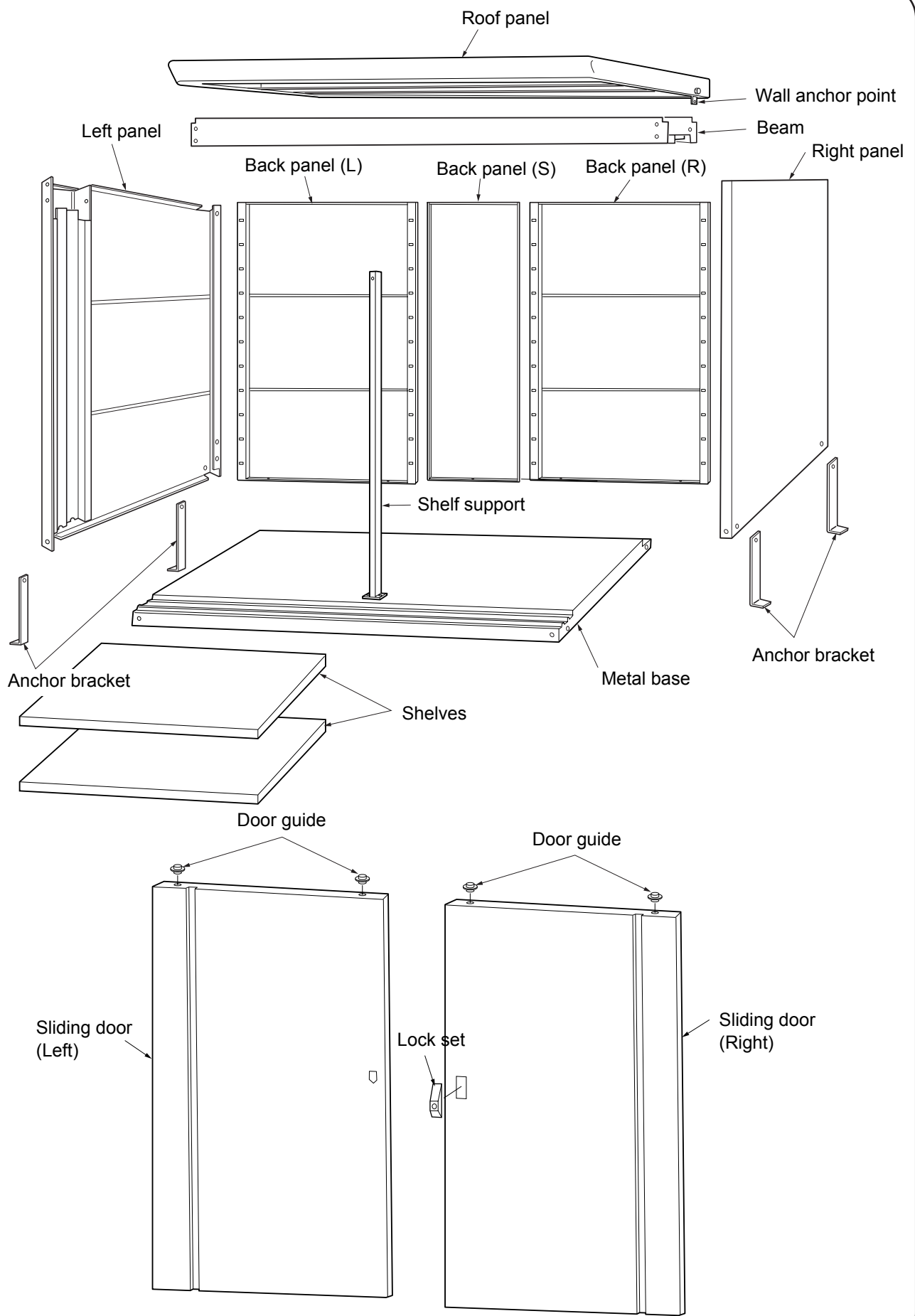


Assembly Instruction

(DM-GY119/137/139/157/177/179)



Parts detail



Packing detail

GY119

Packing #	Packing name	Parts	QTY	
1	M9-0102	Beam	Parts	1
			Beam	1
2	M9-0202	Metal base	1	
3	M9-0302	Side panels	Right panel	1
			Left panel	1
			Back panel (S)	1
			Shelf support	1
4	M9-0402	Back panel	2	
5	M9-0502	Roof panel & Shelves	Roof panel	1
			Shelf C	2
6	M9-0602	Sliding door	Sliding door (R)	1
			Sliding door (L)	1

GY137

Packing #	Packing name	Parts	QTY	
1	M9-0103	Beam	Parts	1
			Beam	1
2	M9-0203	Metal base	1	
3	M9-0303	Side panels	Right panel	1
			Left panel	1
			Back panel (S)	1
			Shelf support	1
4	M9-0403	Back panel	2	
5	M9-0503	Roof panel & Shelves	Roof panel	1
			Shelf F	2
6	M9-0603	Sliding door	Sliding door (R)	1
			Sliding door (L)	1

GY139

Packing #	Packing name	Parts	QTY	
1	M9-0103	Beam	Parts	1
			Beam	1
2	M9-0204	Metal base	1	
3	M9-0302	Side panels	Right panel	1
			Left panel	1
			Back panel (S)	1
			Shelf support	1
4	M9-0403	Back panel	2	
5	M9-0504	Roof panel & Shelves	Roof panel	1
			Shelf G	2
6	M9-0603	Sliding door	Sliding door (R)	1
			Sliding door (L)	1

GY157

Packing #	Packing name	Parts	QTY	
1	M9-0104	Beam	Parts	1
			Beam	1
2	M9-0205	Metal base	1	
3	M9-0303	Side panels	Right panel	1
			Left panel	1
			Back panel (S)	1
			Shelf support	1
4	M9-0404	Back panel	2	
5	M9-0505	Roof panel & Shelves	Roof panel	1
			Shelf D	2
6	M9-0604	Sliding door	Sliding door (R)	1
			Sliding door (L)	1





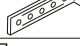



GY177

Packing #	Packing name	Parts	QTY	
1	M9-0105	Beam	Parts	1
			Beam	1
2	M9-0206	Metal base	1	
3	M9-0303	Side panels	Right panel	1
			Left panel	1
			Back panel (S)	1
			Shelf support	1
4	M9-0405	Back panel	2	
5	M9-0506	Roof panel & Shelves	Roof panel	1
			Shelf E	2
6	M9-0605	Sliding door	Sliding door (R)	1
			Sliding door (L)	1

GY179

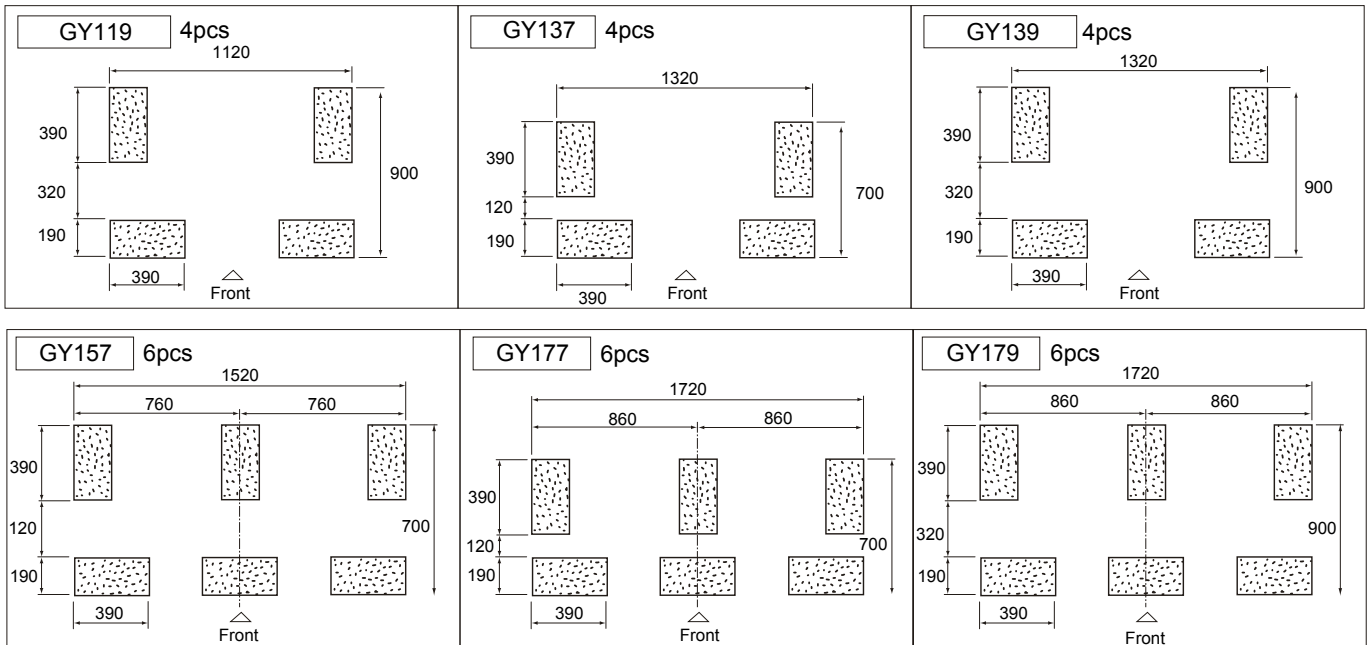
Packing #	Packing name	Parts	QTY	
1	M9-0105	Beam	Parts	1
			Beam	1
2	M9-0207	Metal base	1	
3	M9-0302	Side panels	Right panel	1
			Left panel	1
			Back panel (S)	1
			Shelf support	1
4	M9-0405	Back panel	2	
5	M9-0507	Roof panel & Shelves	Roof panel	1
			Shelf E	2
6	M9-0605	Sliding door	Sliding door (R)	1
			Sliding door (L)	1

Parts box

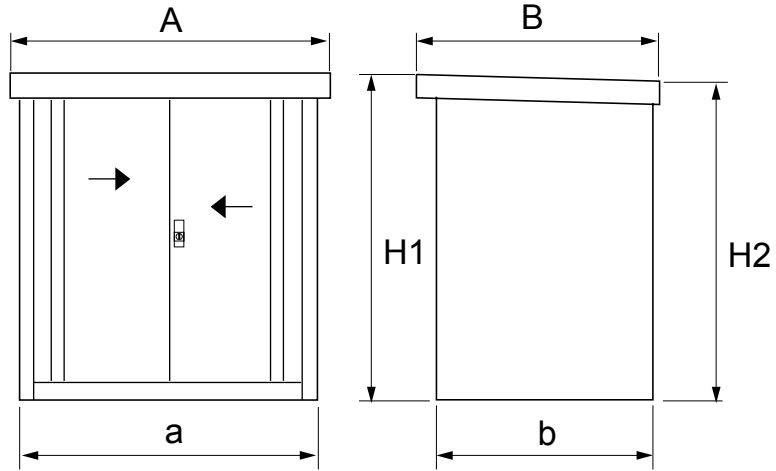
Parts name	Looks	Quantity					
		GY119	GY137	GY139	GY157	GY177	GY179
Hexagon bolts (M6)		35 (2 spare)	35 (4 spare)	35 (2 spare)	35 (3 spare)	35 (3 spare)	35 (1 spare)
Hexagon bolts (M6 rubber washer)		12	12	12	12	12	12
Wall anchor point		2	2	2	2	2	2
Shelf bracket		8	8	8	8	8	8
Anchor bracket		4	4	4	4	4	4
Lock set		1	1	1	1	1	1
Door guide		4	4	4	4	4	4
Bolt cover	 Grey	12 (2 spare)	12 (2 spare)	12	12	12 (2 spare)	12

Please provide light blocks (Width 190mm x Length 390mm x Height 100mm)

* Layout of blocks below indicates in mm.



Size



- *1. Put base blocks horizontally. (Base blocks are not included.)
- *2. Make flat ground.
- *3. Qty & position of blocks to be arranged as per previous page.
- *4. Provide anchor hole at the 4 corner.

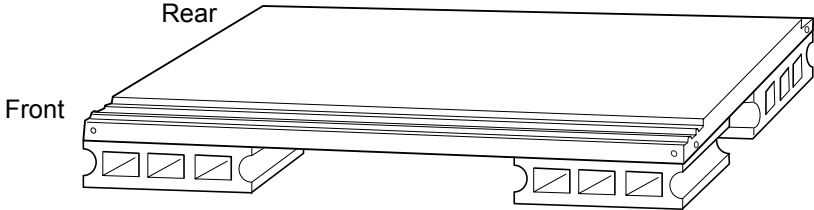
	A	B	a	b	H1	H2
DM-GY119	1160	980	1120	900	1865	1850
DM-GY137	1360	780	1320	700	1865	1850
DM-GY139	1360	980	1320	900	1865	1850
DM-GY157	1560	780	1520	700	1865	1850
DM-GY177	1760	780	1720	700	1865	1850
DM-GY179	1760	980	1720	900	1865	1850

(mm)

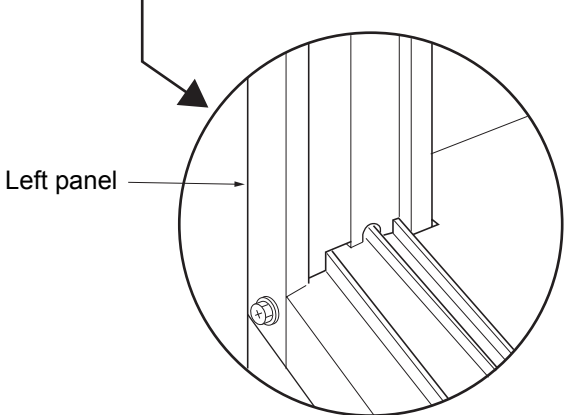
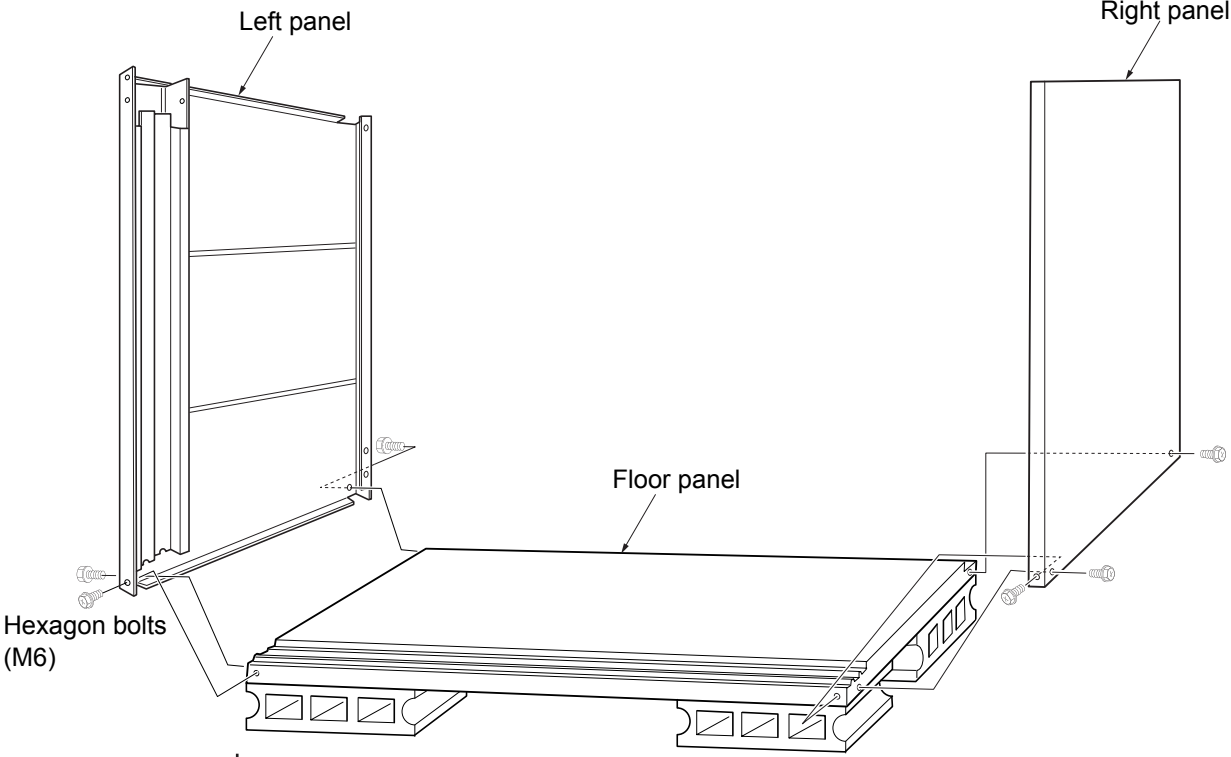
-Installation guide-

1. Metal base installation

Ensure the assembly site is flat and level.



2. Side panel installation



*When using an electric screw driver, take care not to over tighten bolts.

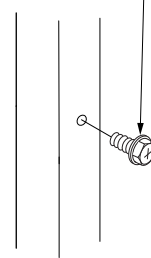
3. Install Back panel (L)

1. Combine back panel (L) with left panel.



Back panel (L)
*Top View

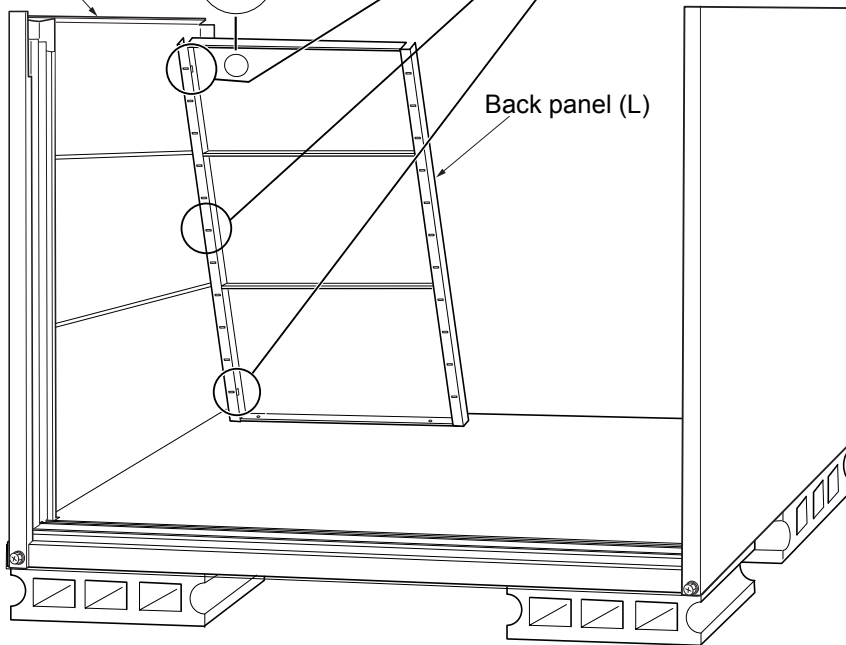
2. Fix by hexagon bolt M6 with rubber washer.



Left panel

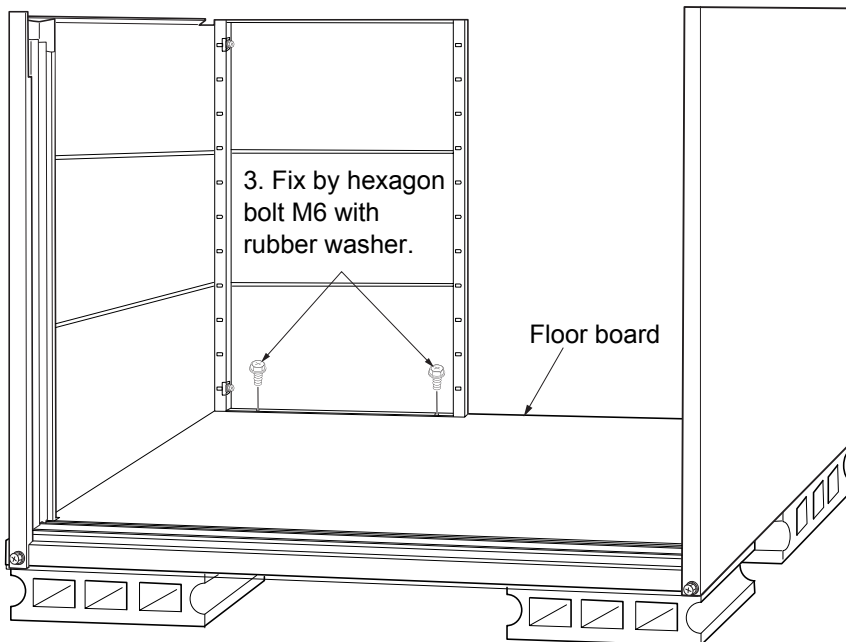
Upper

Back panel (L)



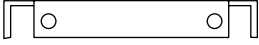
3. Fix by hexagon bolt M6 with rubber washer.

Floor board



4. Install Back panel (L) & Back panel (S)

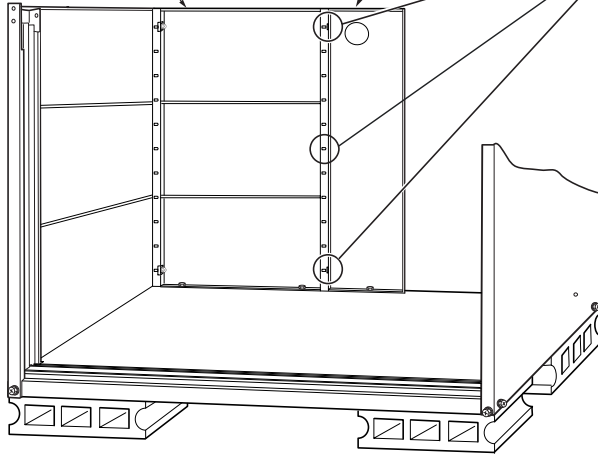
Back panel (S)
(Width: 220mm)



(Top View)

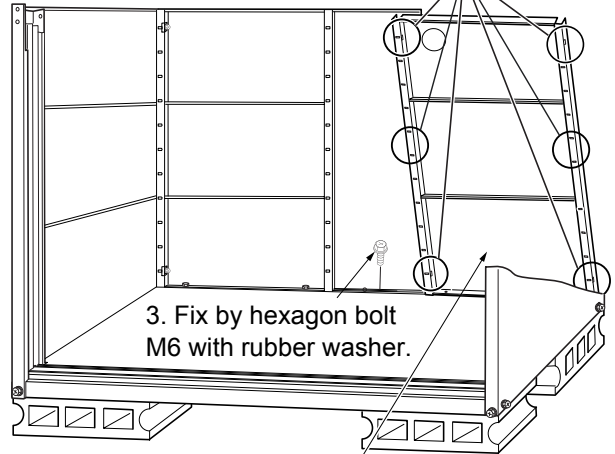
Back panel (L)

1. Combine back panel (S) with back panel (L).



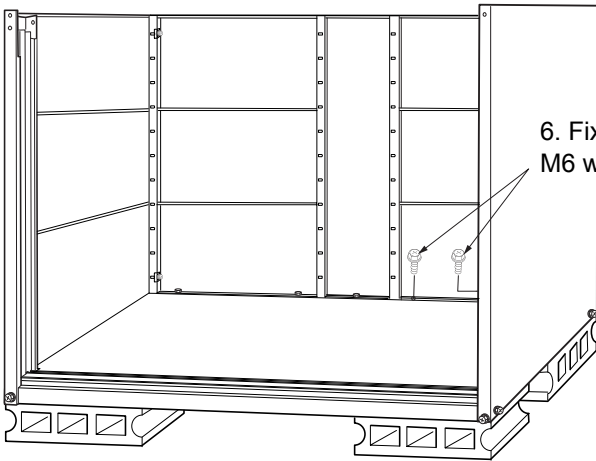
2. Fix by hexagon bolt M6 with rubber washer.

5. Fix by hexagon bolt M6 with rubber washer.



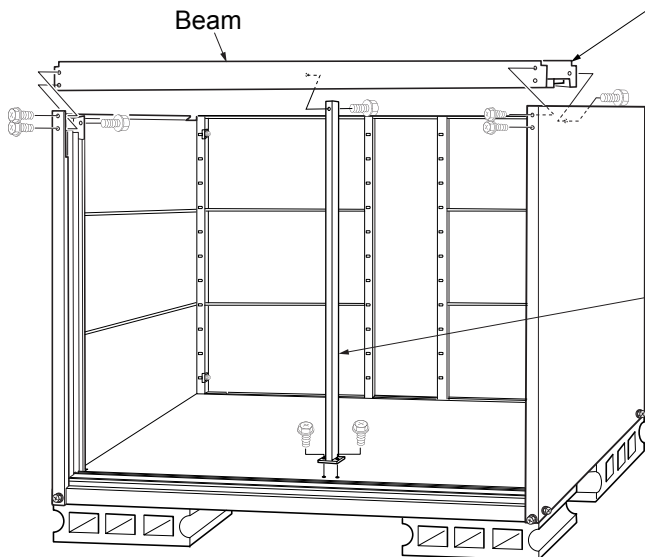
3. Fix by hexagon bolt M6 with rubber washer.

4. Combine back panel (S) and (L) with right panel.



6. Fix by hexagon bolt M6 with rubber washer.

5. Install Beam and Shelf support

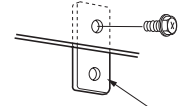


1. Fix beam on side panels with hexagon bolt (M6) x 6.

2. Fix shelf support with hexagon bolt (M6) 2 pcs for floor panel, 1 pc for beam.

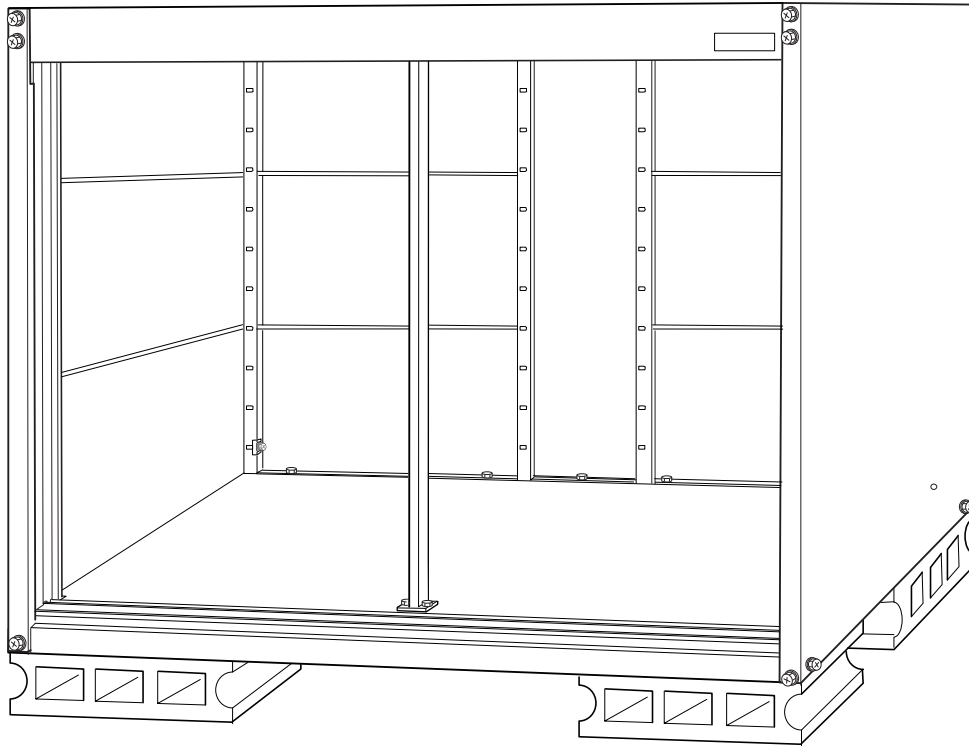
6. Install Roof panel & Shelves

1. Fix wall anchor point with hexagon bolt. (R x 1, L x 1)

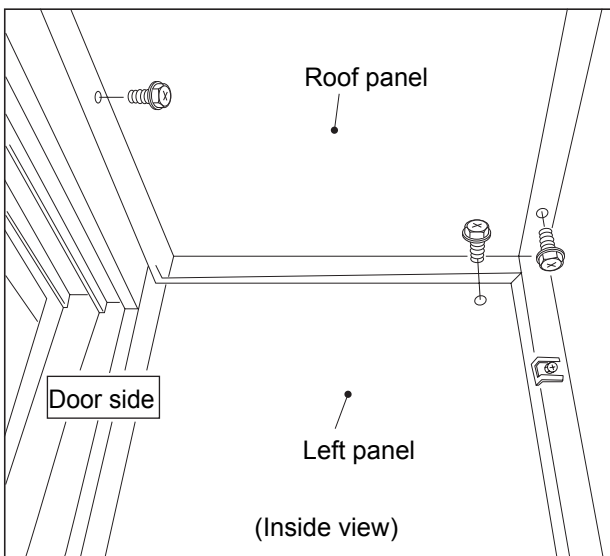
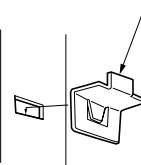


Wall anchor point

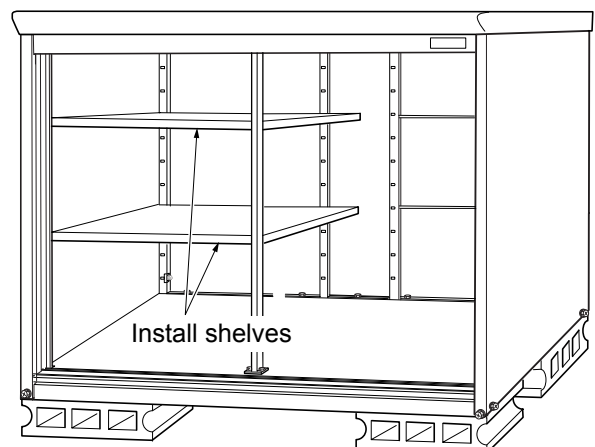
2. Fix roof panel as covering with side panel.



Insert shelf bracket at the desired height.



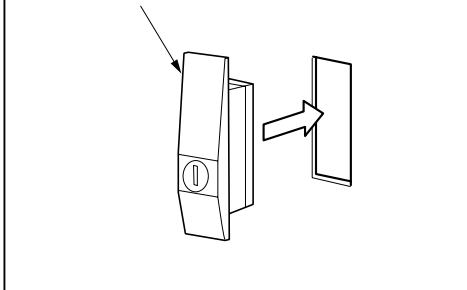
3. Fix panels with hexagon bolt from inside.



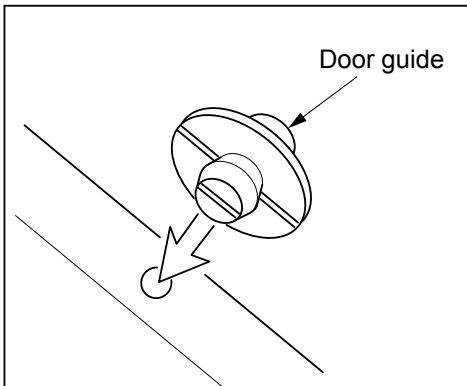
7. Install Sliding door

1. Insert lock set in sliding door.

Take care to install lock set as pictured.



2. Insert door guide into top of sliding door.

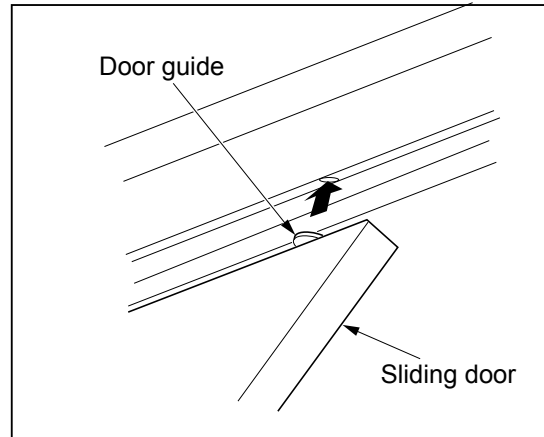


3. Install sliding doors.

(1) Install sliding door (left) on back side rail.

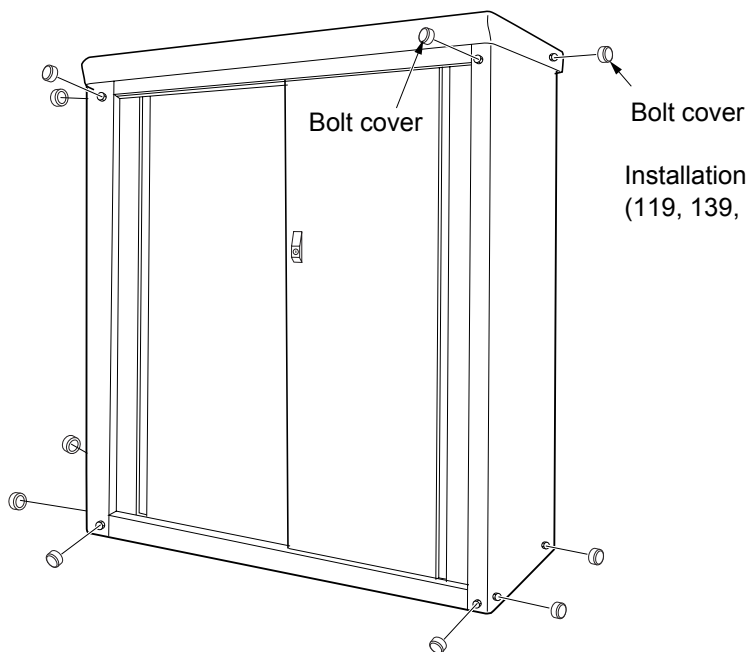
(2) Install sliding door (right) on front side rail.

*As the picture, meet door guide with hole of beam and install sliding door on the rail.

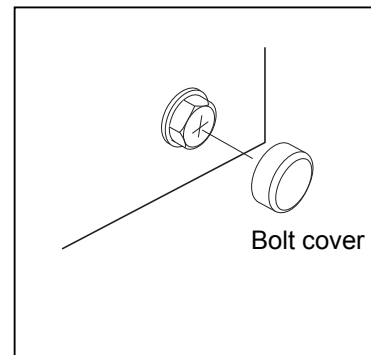


8. Install Bolt cover

Ensure all bolts are fully tightened, put bolt cover on head of all external bolts.

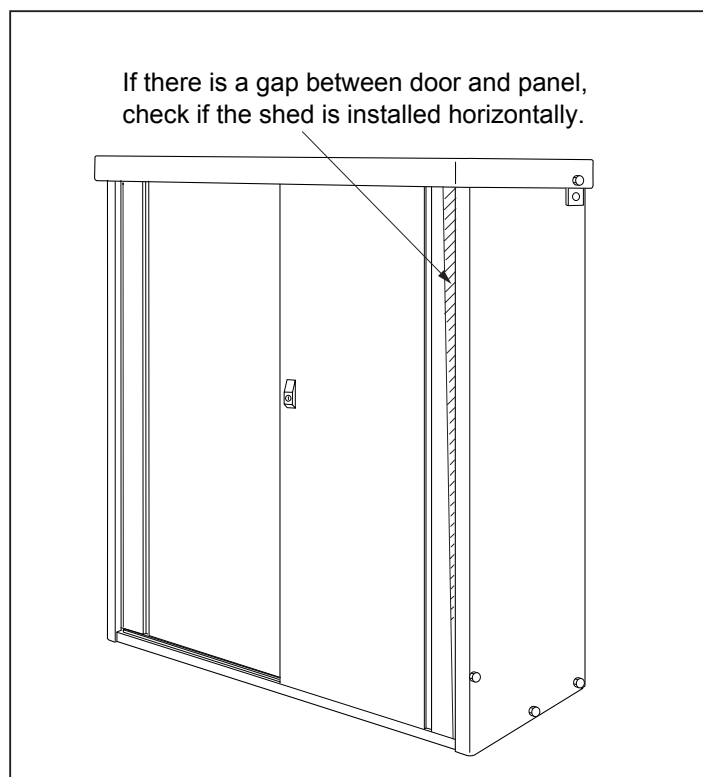
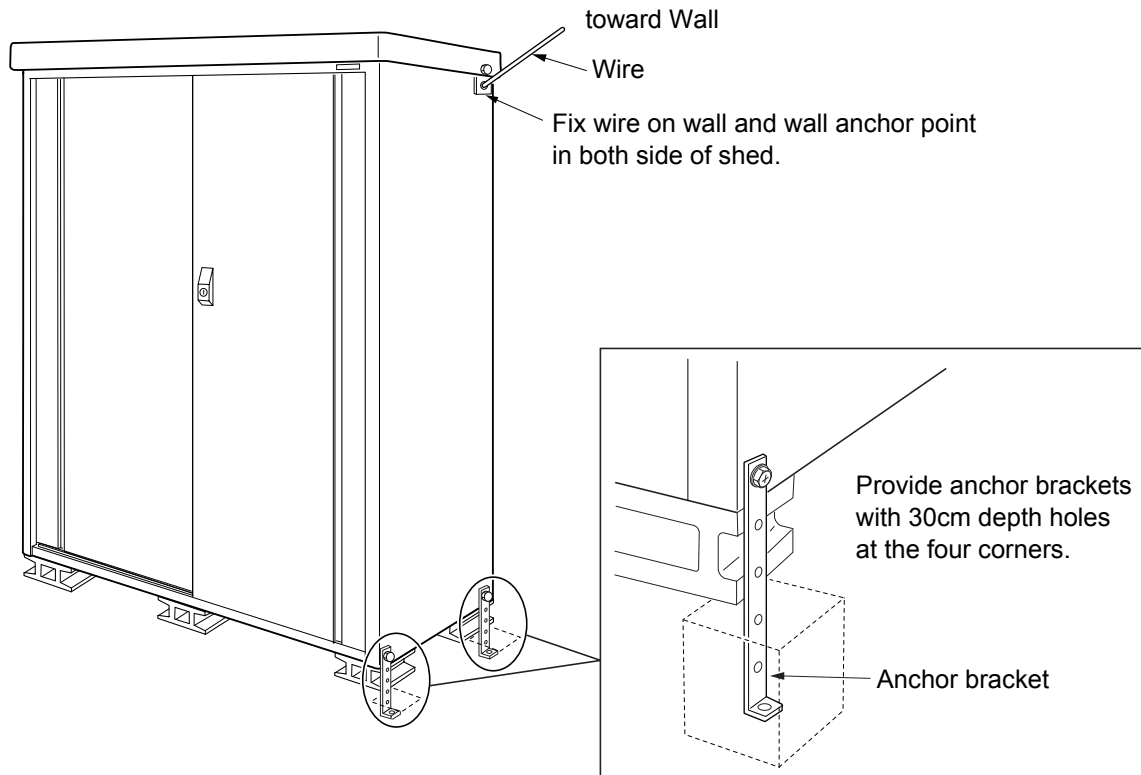


Installation point: 10 points.
(119, 139, 179 = 12 points)



9. Prevent from falling to the ground

To prevent from falling by strong wind or earthquake, hold the shed by anchors or wire.



Confirm if bolts are fixed tightly at all points.