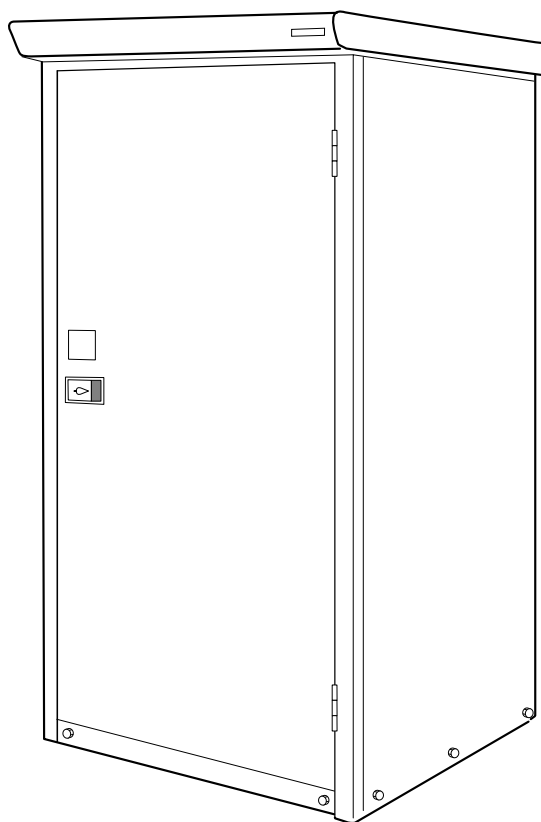
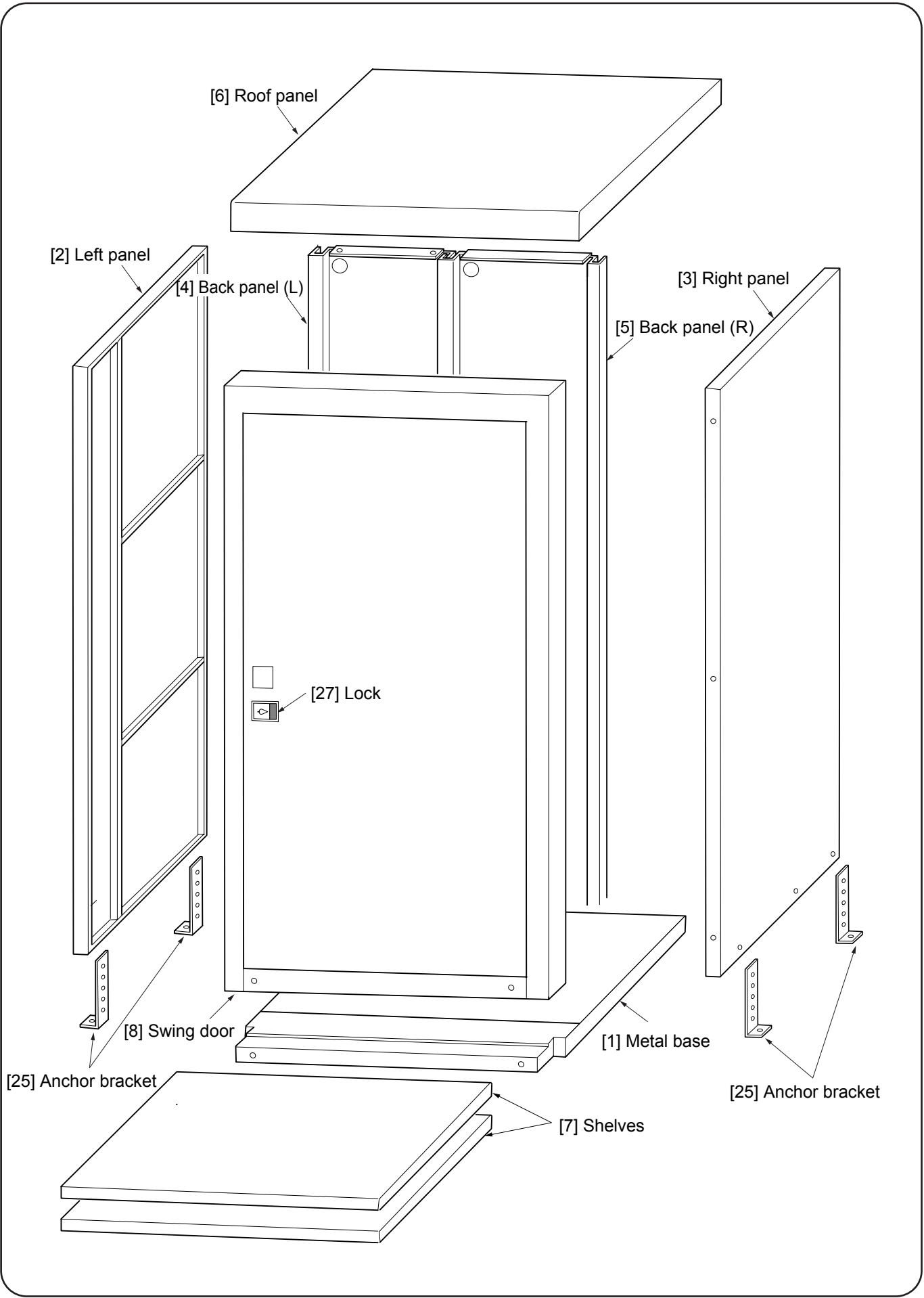


Assembly manual

DM-GY099



Parts detail



Packing list

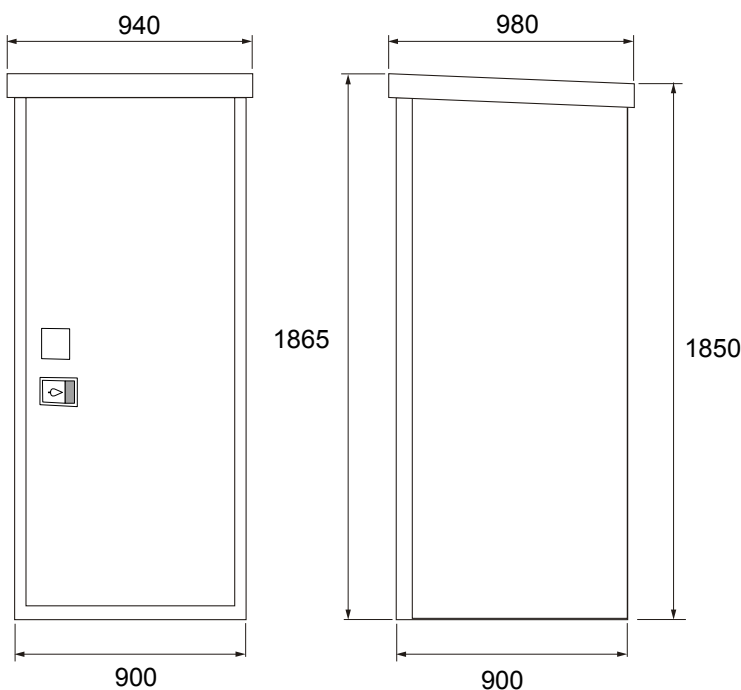
| Packing No. | Name | Parts no. & name | QTY | |
|-------------|---------|------------------|-----------|---|
| 1 | M9-0101 | Parts | Parts bag | 1 |
| | | | Lock bag | 1 |
| 2 | M9-0201 | 1 Metal base | 1 | |
| 3 | M9-0301 | 2 Side panel | 1 | |
| | | 3 Left panel | 1 | |
| 4 | M9-0401 | 4 Back panel | 1 | |
| | | 5 Back panel (L) | 1 | |
| 5 | M9-0501 | 6 Roof/Shelf | 1 | |
| | | 7 Shelves | 2 | |
| 6 | M9-0601 | 8 Swing door | 1 | |

Parts bag

*Parts are contained in parts bag & lock bag of parts box.

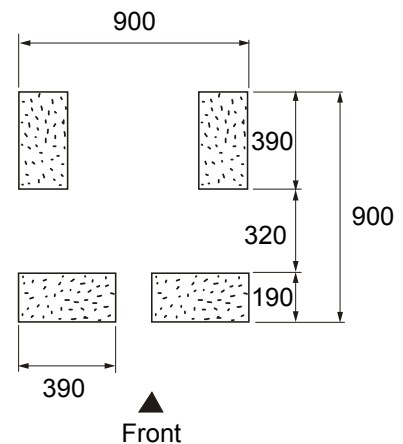
| Parts no. & name | Looks | QTY |
|------------------|-------------------------------|-----------------|
| 21 | Hexagon bolt M6 | 35 (Spare 4) |
| 22 | Hexagon bolt M6 rubber washer | 9 |
| 23 | Wall anchor point | 2 |
| 24 | Shelf bracket | 8 |
| 25 | Anchor bracket | 4 |
| 26 | Bolt cover (M6) | Gray 12 |
| 27 | Lock body & Key | 1 |
| 28 | Lock mount | 1 |
| 29 | Trass tapping screw (3.5 x 8) | 4 |
| 30 | Lock fixing metal (top) | 1 |
| 31 | Lock fixing metal (bottom) | 1 |
| 32 | Trass tapping screw (3.5 x 6) | 4 |

Size



1. Put base blocks horizontally.
(Base blocks are not included.)
2. Make flat ground.
3. Provide anchor hole at the four corners.

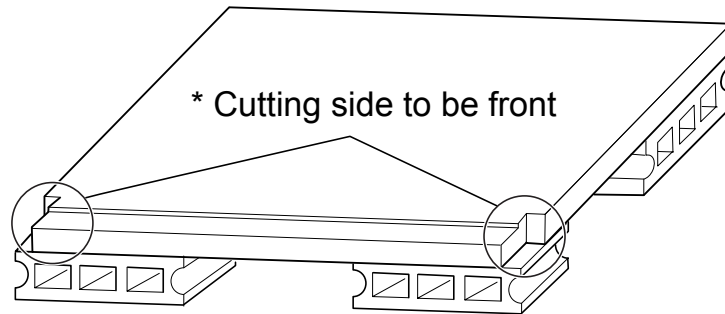
Block position
(Block size: Width 190 x Length 390 x Height 100)



Installation guide

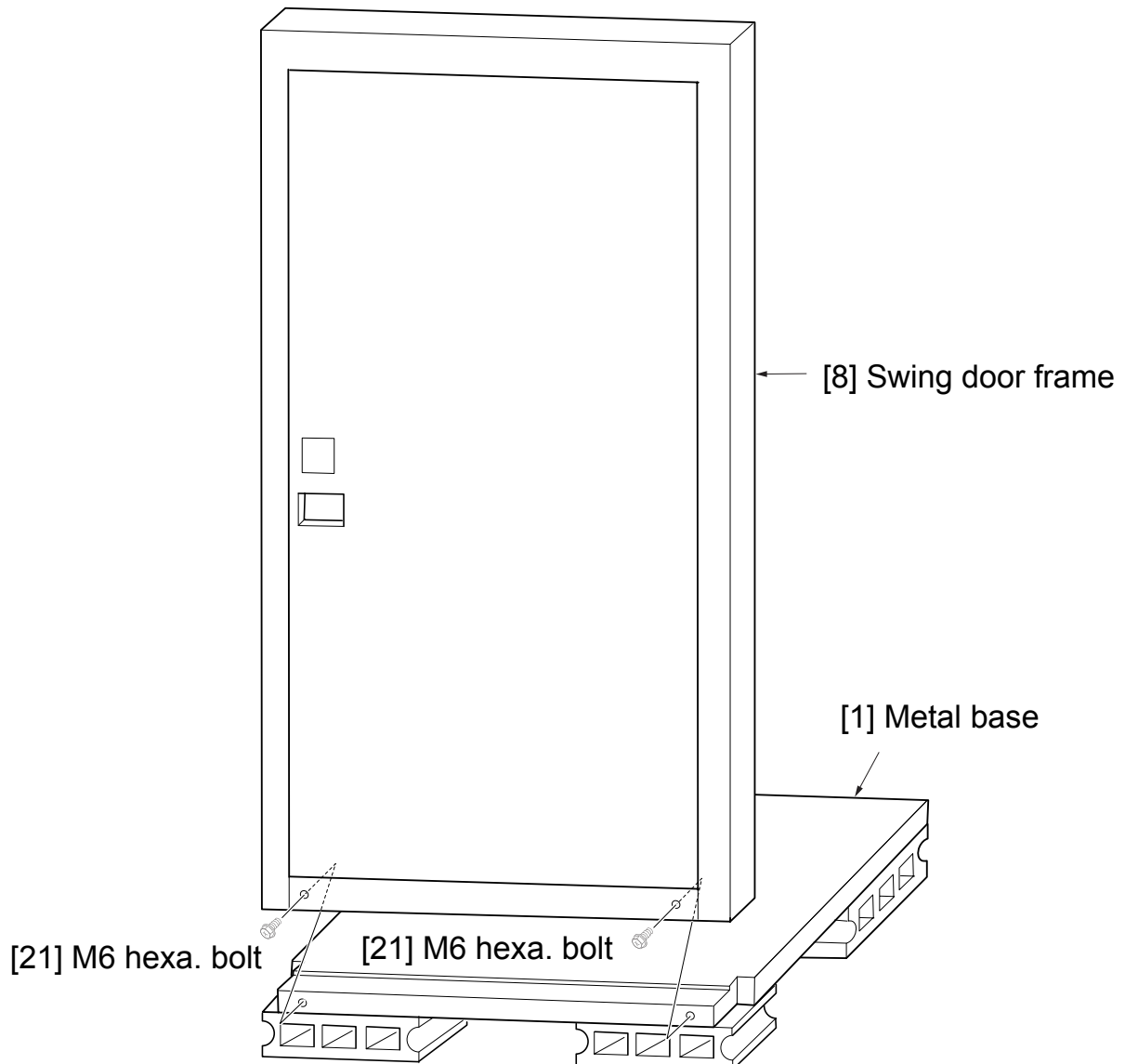
1. Install floor board

Put [1] Metal base on the flat ground..



2. Install swing door

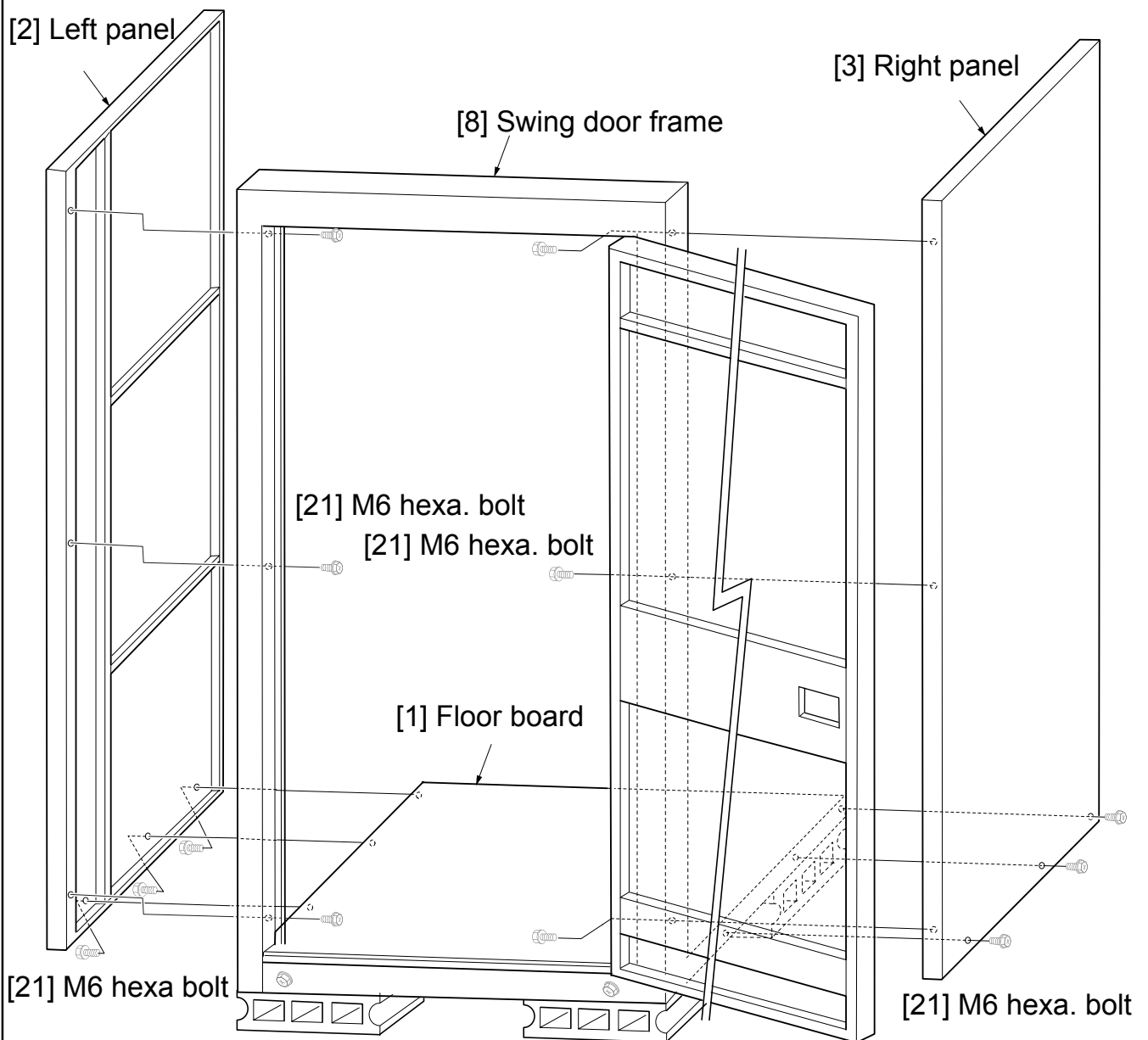
Fix frame of [8] swing door by 2 pcs. of [21] M6 hexa. bolt.



* When using an electric screw driver, take care not to over tighten bolts.

3. Install side panel

Fix [2,3] side panels at 6 points by [21] M6 hexa. bolt. (Out side: 3, Inside: 3)



* Be careful for strong wind possible to open door.

4. Install back panel (L/R)

Fix [4,5] back panels at 13 points by [22] M6 hexa. bolt with rubber washer.
(For side panel: 9 points, For floor board: 4 points)

[4] Back panel (L) [5] Back panel (R)



(Top view)

*Set panels as per label direction.

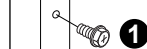
[4] Back panel (L)

[5] Back panel (R)

[2] Left panel

[3] Right panel

[8] Swing door



Fix by [22] M6 hexa. bolt with rubber washer.

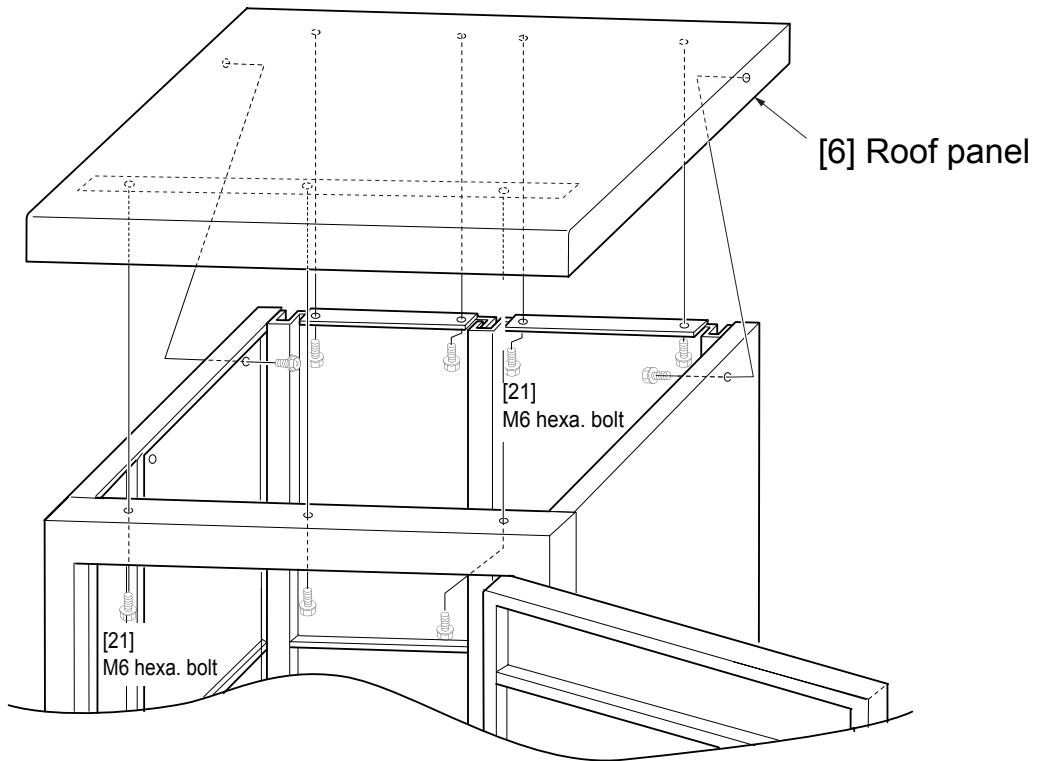
2

Fix both [4,5] back panel by [22] M6 hexa. bolt with rubber washer.

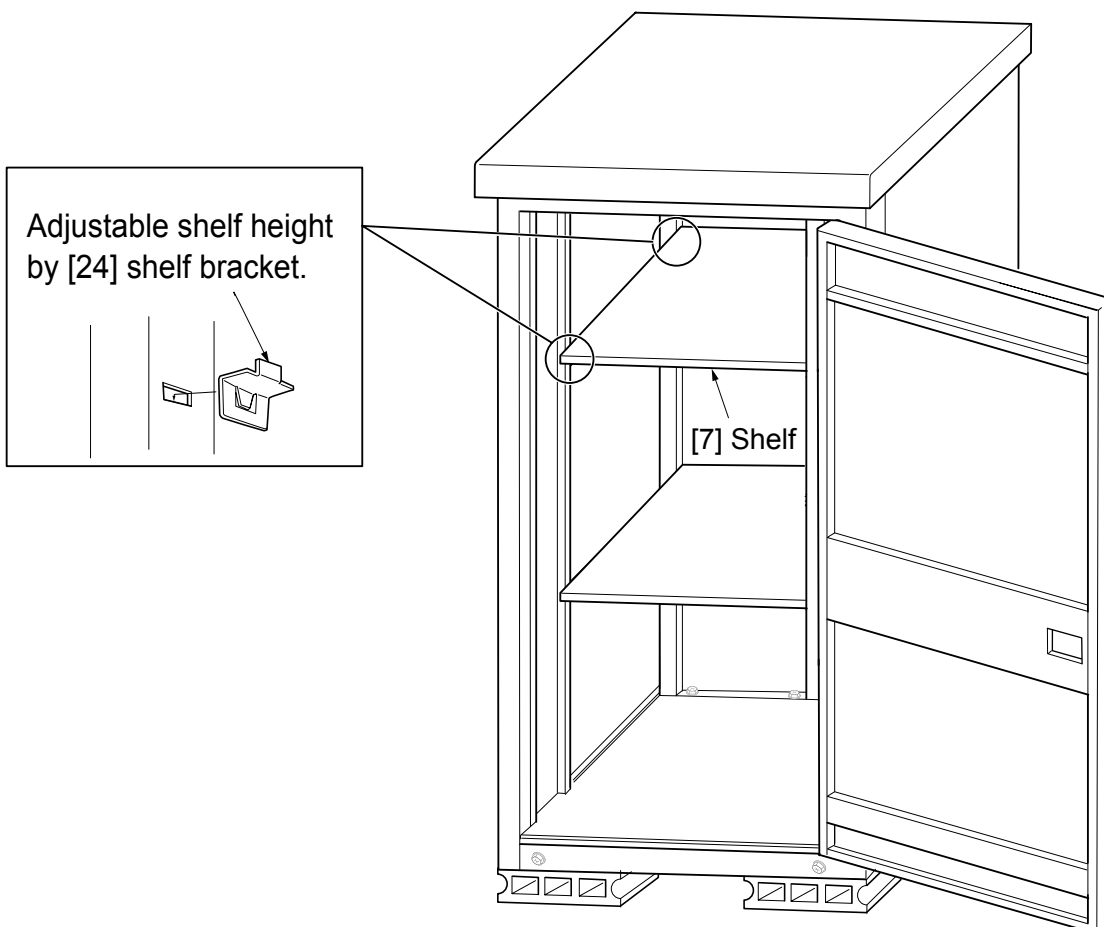
[1] Floor board

5. Install roof panel

Fix [6] roof panel at 9 points by [21] M6 hexa. bolt from inside. (Front: 3, L/R: 2, Back: 4)

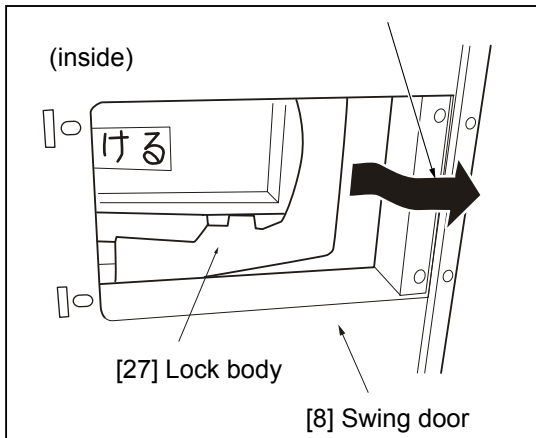


6. Install shelves

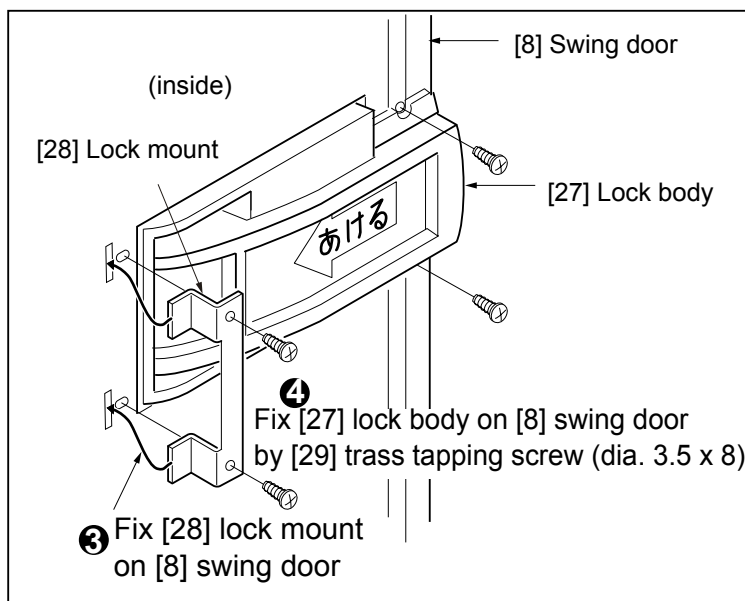
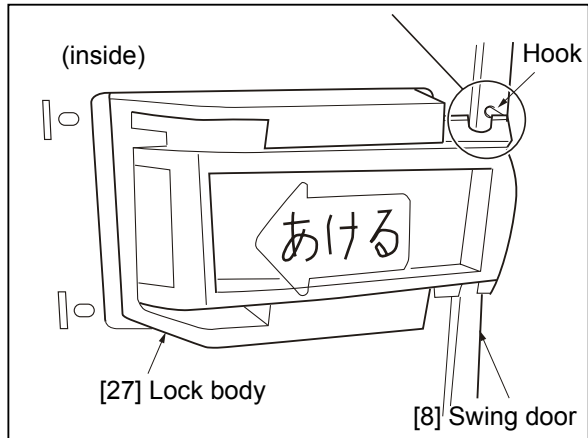


7. Install lock body

- 1** Insert [27] lock body into setting hole from outside.

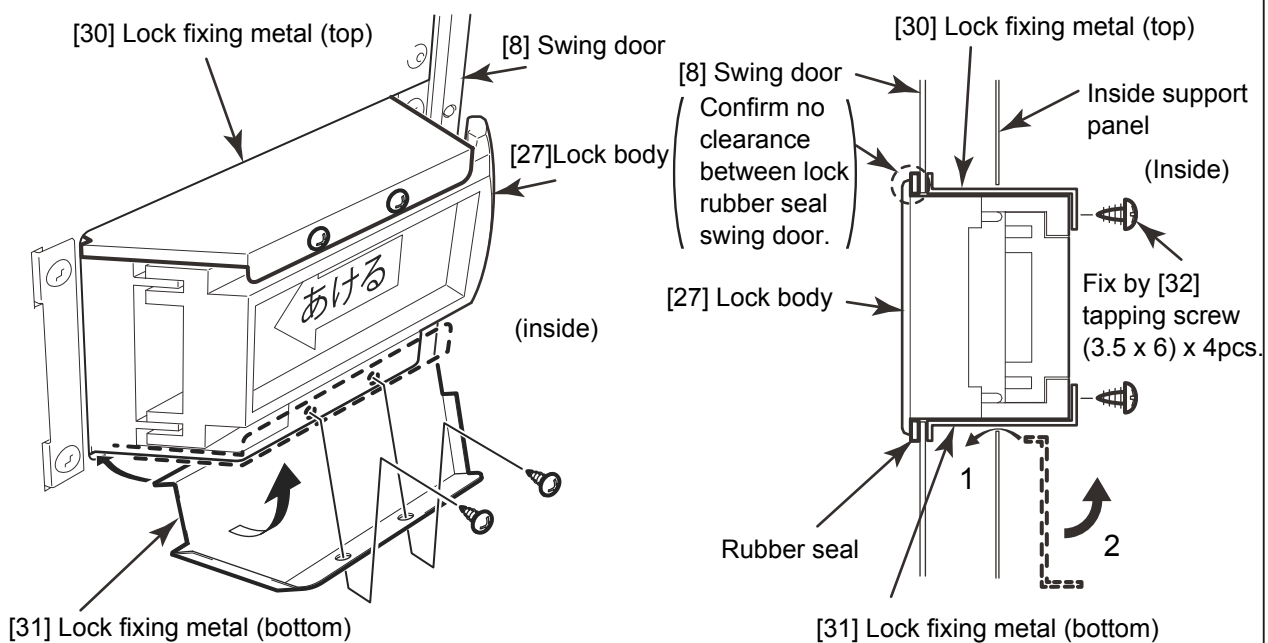


- 2** Fix [27] lock body by hook.



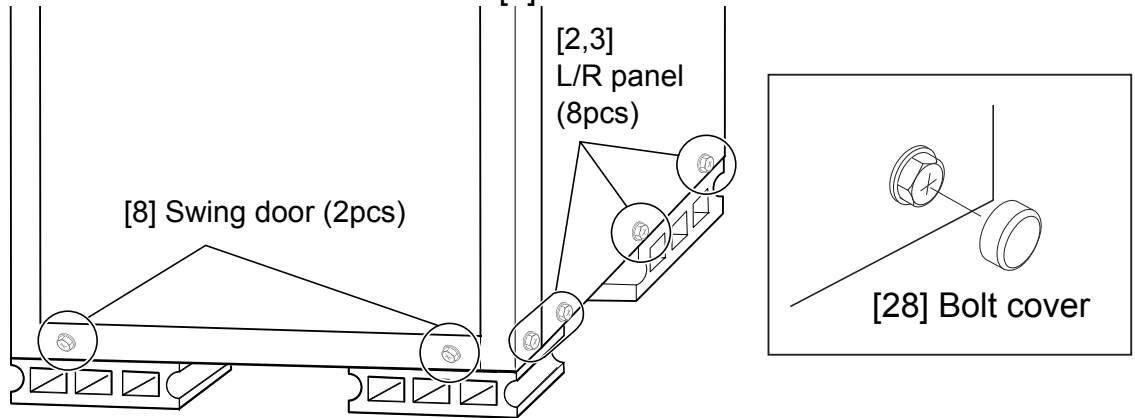
- 5** Put [30] lock fixing metal top & [31] bottom between [27] lock and Inside support panel.

- 6** Cover "[30] Lock fixing metal Top & [31] bottom" over lock then fix by Tapping screw (3.5 x 6)

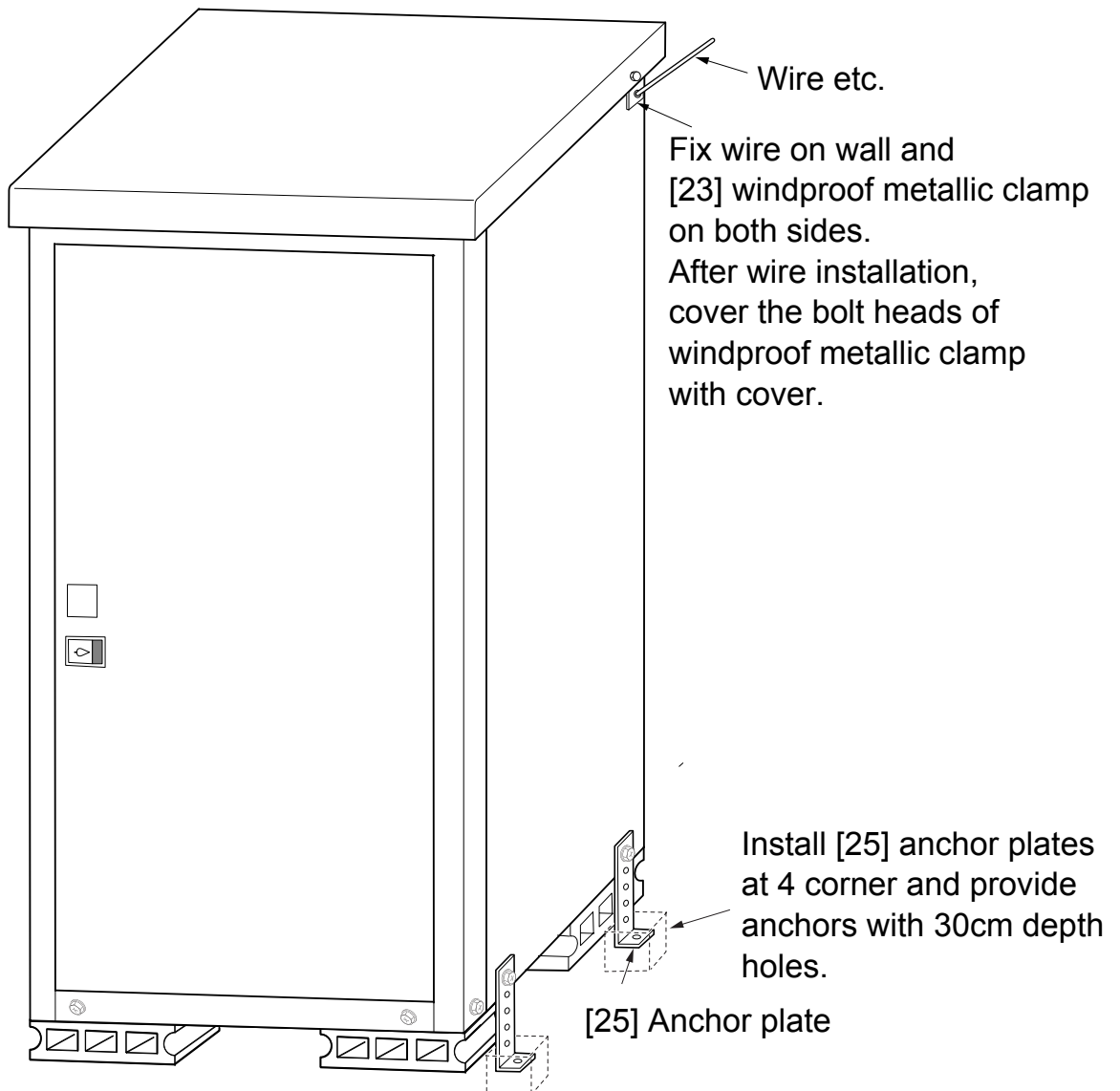


8. Cover bolt heads with bolt caps.

After checking if bolts have been tightened, install [26] bolt cover on 8 bolt heads around [1] floor board.



9. Prevent from falling to the ground.



At last, Confirm if bolts are fixed tightly at all points again.